

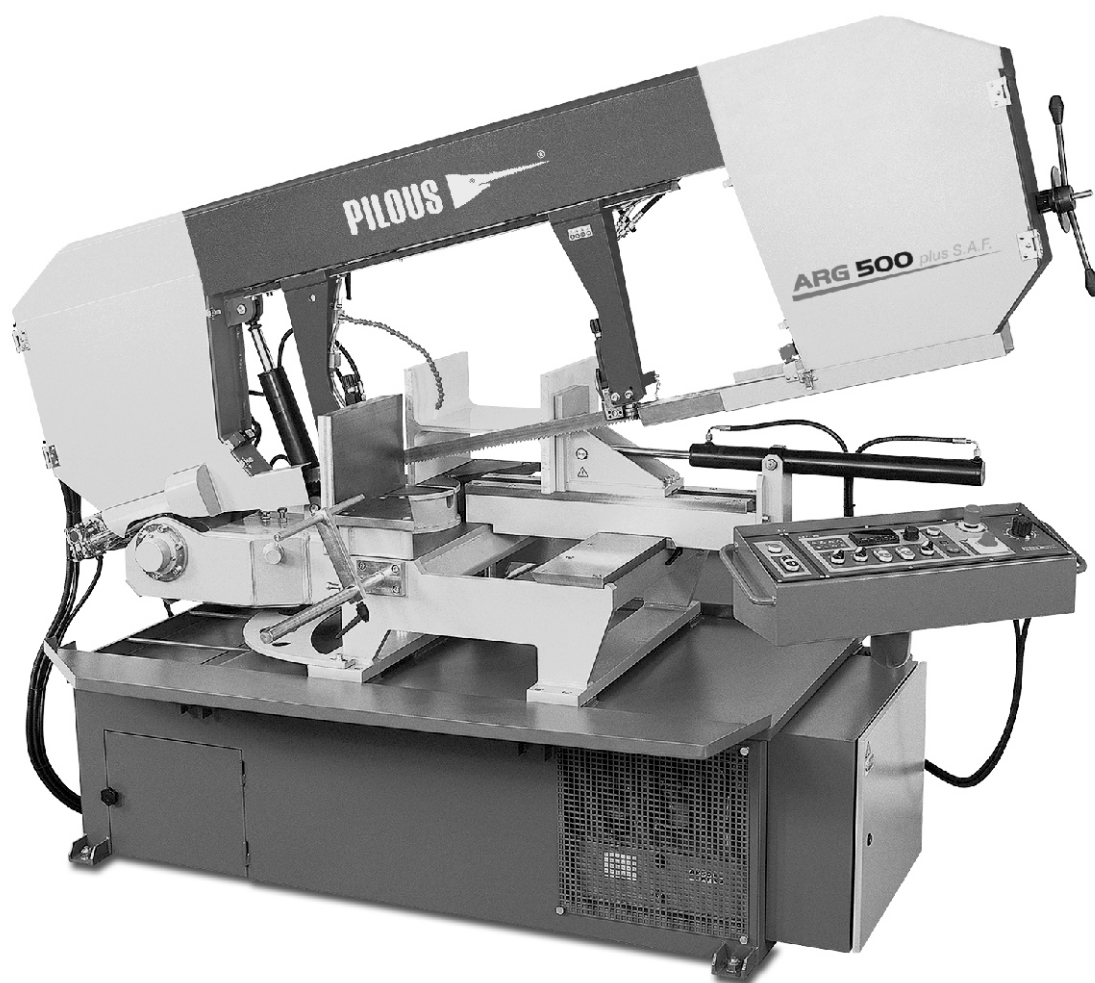
PILOUS ®

INSTRUCTION MANUAL

ARG 330 S.A.F. • ARG 330 plus S.A.F. • ARG 380 plus S.A.F.

ARG 400 plus S.A.F. • ARG 500 plus S.A.F.

SPAREPARTS



Pilous - pásové pily, spol. s r.o., Železná 9, 619 00 Brno, Czech Republic
tel.: 00 420 543 252 010, e-mail: pilous@pilous.cz, www.pilous.cz

Dear customer,

thank you for purchasing our product. We wish you a lot of success with it in your business. Please pay close attention to the following instructions in order to ensure faultless operation of the machine.

© 2016 All rights, particularly the right to make copies of, to distribute and translate this instruction manual, are reserved. No part of this instruction manual may in any form (printing, copying, microfilm or other means) be reproduced or stored, processed, copied or distributed using electronic systems without a permission by PILOUS.

Contents:**13. Assemblies****13.1. Guide Head Assembly**

13.1.1. Guide Head Assembly in ARG 330 S.A.F., ARG 330 plus S.A.F., ARG 400 plus S.A.F.

13.1.2. Guide Head Assembly in ARG 380, 500 plus S.A.F.

13.2. Arm Assembly

13.2.1. Arm Assembly in ARG 330

13.2.2. Arm Assembly in ARG 400 plus S.A.F.

13.2.3. Arm Assembly in ARG 380 plus S.A.F., ARG 500 plus S.A.F.

13.3. The Table, Turntable, Joint and Vice Assembly

13.3.1. The Table, Joint and Vice Assembly in ARG 330

13.3.2. The Table, Turntable, Joint and Vice Assembly in ARG 330 plus

13.3.3. The Table, Turntable, Joint and Vice Assembly in ARG 400 plus S.A.F.

13.3.4. The Table, Turntable, Joint and Vice Assembly in ARG 380 plus S.A.F., ARG 500 plus S.A.F.

13.4. Cleaning Brush Assembly**13.5. Cooling Assembly**

13.5.1. Cooling Assembly in ARG 330

13.5.2. Cooling Assembly in ARG 380 plus S.A.F.

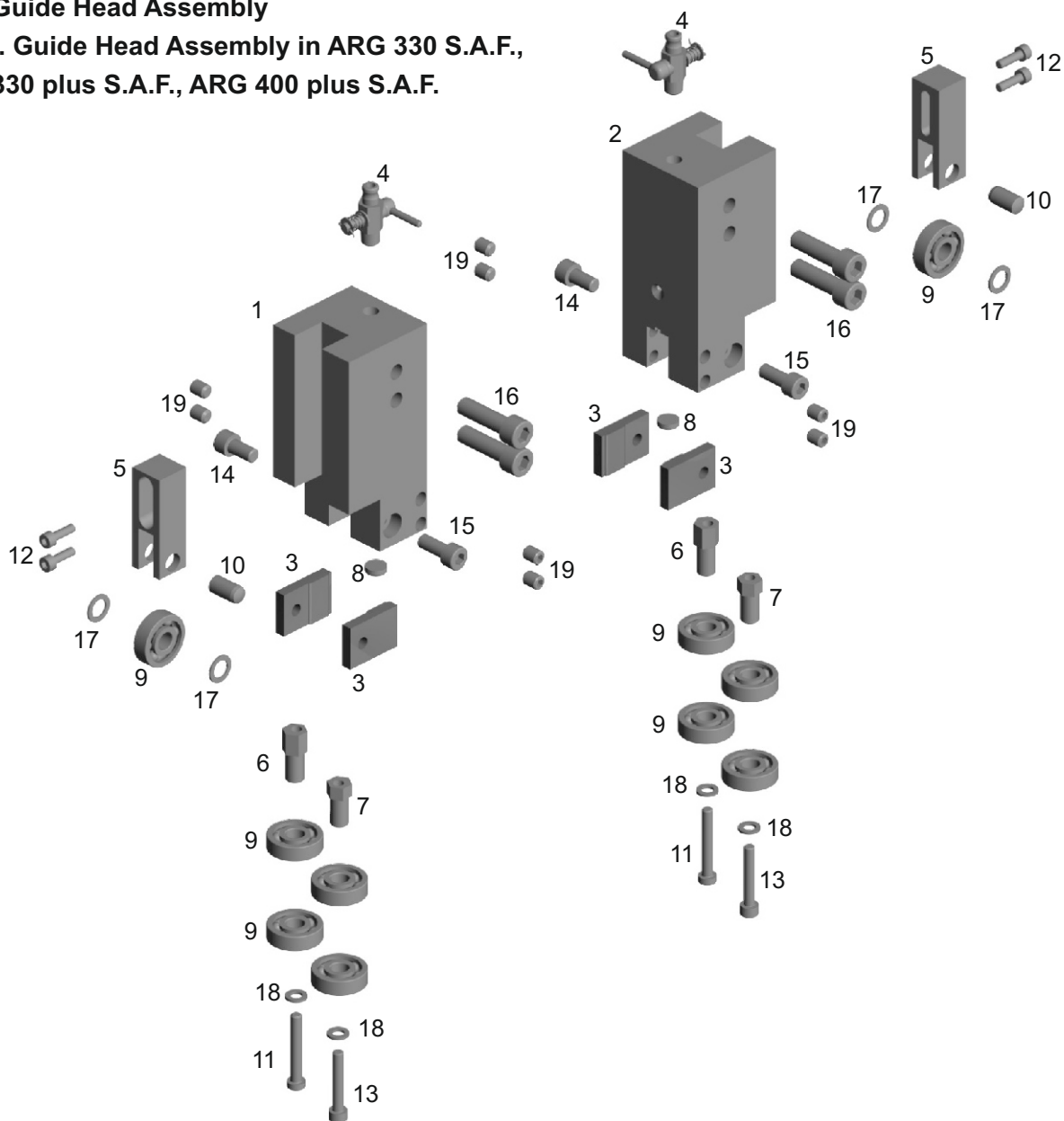
13.5.3. Cooling Assembly in ARG 400 plus S.A.F.

13.5.4. Cooling Assembly in ARG 500 plus S.A.F.

13. Assemblies

13.1. Guide Head Assembly

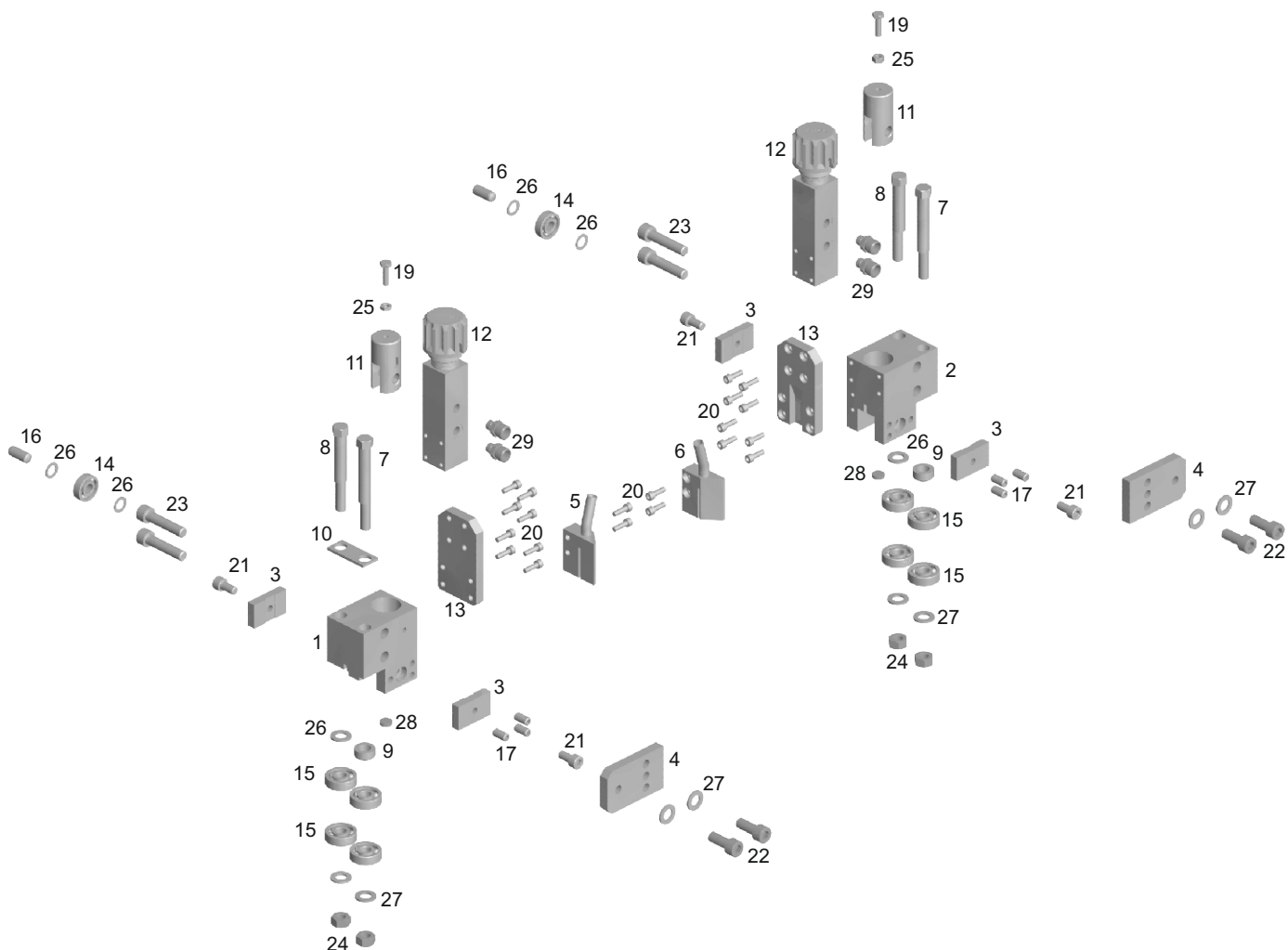
13.1.1. Guide Head Assembly in ARG 330 S.A.F., ARG 330 plus S.A.F., ARG 400 plus S.A.F.



ver. 1.6.2016

Pos.	Order number	Name	Type ARG	Pcs
1	013946	Guide head, moving	330	1
2	013947	Guide head, fixed	330	1
3	001997	Hardened steel plate	330	4
4	001402	Drain valve	330	2
5	001890	Guide head slider	330	2
6	014968	Exc. bearing, guide head, big	330	2
7	014967	Exc. bearing, guide head, small	330	2
8	001351	Hardened steel blade guide, round	330	2
9	001829	6200 - 2Z bearing	330	10
10	002044	Hardened pin 10x20	330	2
11	001676	Allen screw, low head, M6x40	330	2
12	001560	Allen screw M5x16	330	4
13	002042	Allen screw M6x35	330	2
14	001562	Allen screw M8x16	330	2
15	001441	Allen screw M8x20	330	2
16	001625	Allen screw M10x35	330	4
17	005036	Washer 10x16x1, flush	330	4
18	001473	Washer 6	330	4
19	001458	Screw dowel - Allen screw M8x16	330	8

13.1.2. Guide Head Assembly in ARG 380, 500 plus S.A.F.

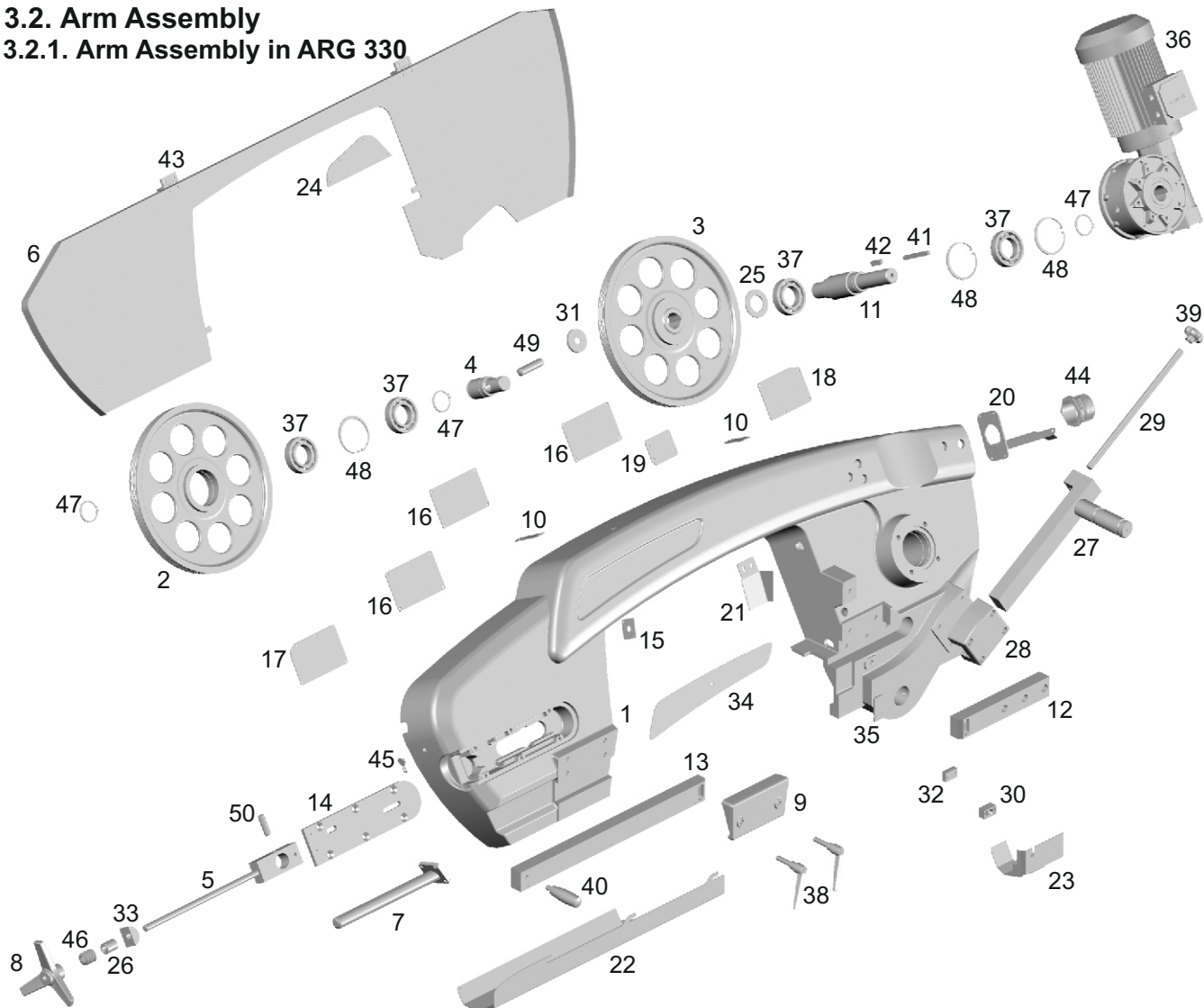


ver. 1.6.2016

Pos.	Order number	Name	Type ARG	Pcs	Pos.	Order number	Name	Type ARG	Pcs
1	014004	Guide head	500	1	15	001829	6200 - 2Z bearing	380,500	8
	012533	Guide head	380	1	16	007011	Hardened pin 10x28	500	2
2	014005	Guide head, movable	500	1	17	006233	Adjusting bolt flat M8x16	380,500	6
	012534	Guide head, movable	380	1	19	003050	SW screw M6x16	500	2
3	009723	Soldered hardened steel plate	380,500	4	20	001560	Allen screw M5x16	500	20
4	009726	Hardened plate	380,500	2		001560	Allen screw M5x16	380	4
5	009725	Cooling, fixed	380,500	1	21	001562	Allen screw M8x16	380,500	4
6	009728	Cooling, movable	380,500	1	22	001638	Allen screw M10x25	380,500	4
7	013417	Eccentric, big	380,500	2	23	001638	Allen screw M10x45	380,500	4
8	013418	Eccentric, small	380,500	2	24	001469	M10 Nut	380,500	4
9	003273	Tube spacer	380,500	2	25	001467	M6 Nut	500	2
10	013205	Control cylinder holder	500	2	26	005036	Washer 10x16x1, flush	500	6
11	004944	Control system roller	500	2	27	001476	Washer 10	380,500	8
12	008036	Control valve	500	2	28	001351	Hardened steel blade guide	380	2
13	004943	Regulation holder	500	2	29	005536	Lateral GES 8L/R 1/8 WD	500	4
14	005412	6000 - 2RS SKF bearing	500	2					

13.2. Arm Assembly

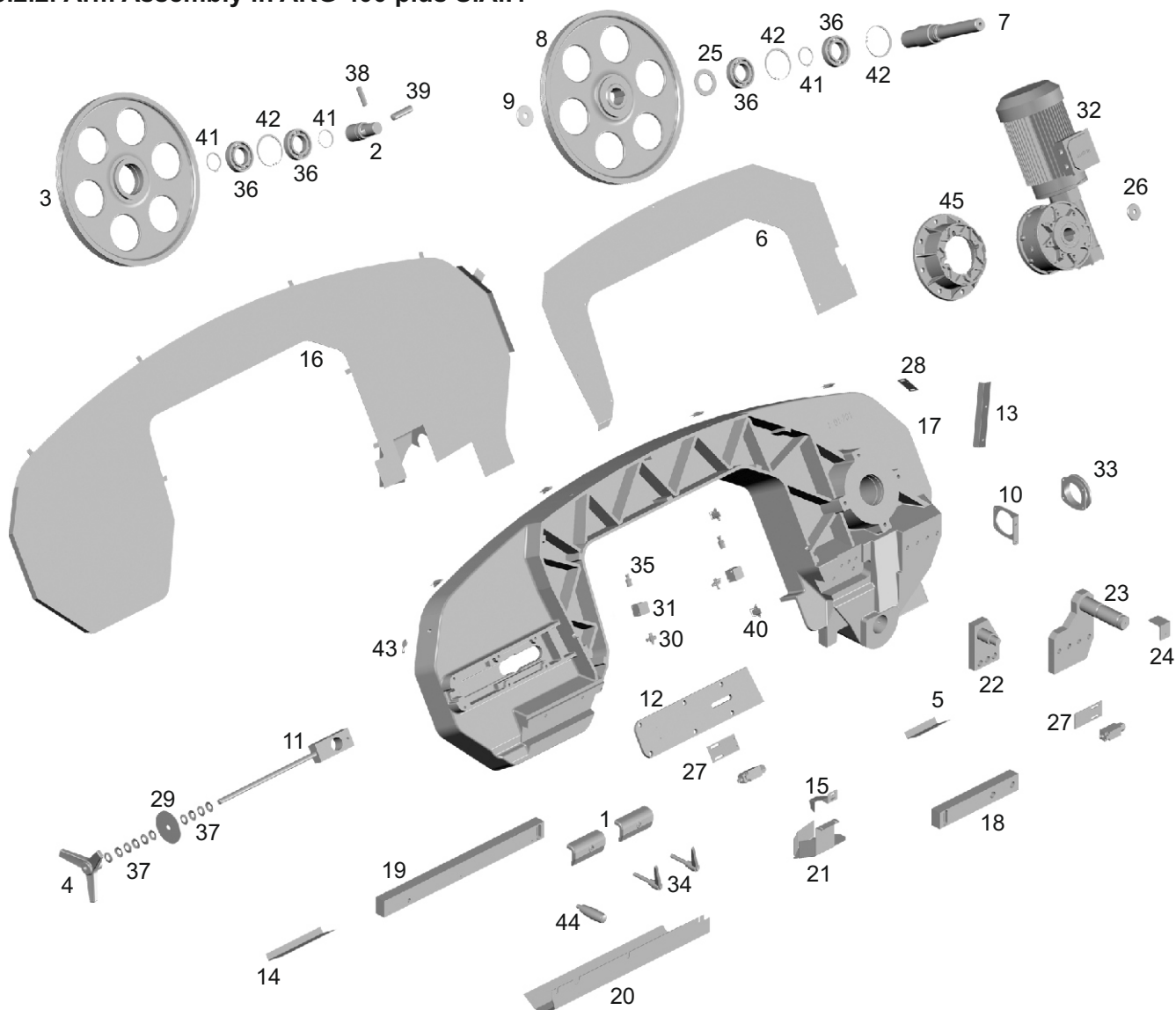
13.2.1. Arm Assembly in ARG 330



ver. 1.6.2016

Pos.	Order number	Name	Type ARG	Pcs	Pos.	Order number	Name	Type ARG	Pcs
1	020841	Arm 330	330	1	26	022309	Spacer	330	1
2	012516	Tensioning wheel	330	1	27	020826	Upper spring holder	330	1
3	012515	Blade wheel	330	1	28	020639	Spring holder, movable	330	1
4	001767	Tensioning bolt	330	1	29	020825	Spring holder screw	330	1
5	014230	Tensioning plate	330	1	30	022736	Guide head cover column	330	1
6	020830	Back cover, arm	330	1	31	015852	Pulley washer	330	1
7	020693	Lifting lever	330	1	32	022737	Column washer	330	1
8	001930	Triangle	330	1	33	020824	Support plate, round	330	1
9	020640	Clamp	330	1	34	020428	Underlying metal sheet, logo	330	1
10	020473	Back cover latch	330	2	35	018708	Safety switch washer 5	330	1
11	020776	Shaft drive	330	1	36	021918	Electric drive	330	1
12	020828	Fixed rod	330	1	37	001906	6210 - 2Z bearing	330	4
13	020778	Movable rod	330	1	38	011907	Adjustable lever M12x63	330	2
14	020450	Tensioning system cover	330	1	39	005140	Plastic triangle	330	1
15	020774	Cooling cap	330	1	40	020937	M12 screw, handle	330	1
16	020421	Arm cap 1	330	3	41	001765	Tight spring 10e7x8x100	330	1
17	020422	Arm cap 2	330	1	42	023204	Tight spring 12e7x8x40	330	1
18	020423	Arm cap 3	330	1	43	021170	Hinge	330	2
19	020424	Arm cap 4	330	1	44	014591	Bushing	330	1
20	020690	Arm cap, back - flange	330	1	45	009577	Cap KR 12	330	1
21	020691	Cable cover	330	1	46	001483	Disc spring 31.5x16.3x1.8x2.5	330	10
22	020692	Front rod cover - 330 plus	330	1	47	001892	Retaining ring, outer, ø 50	330	3
23	022738	Fixed guide head cover	330	1	48	001893	Retaining ring, inner, ø 90	330	3
24	020689	Protective cover	330	1	49	001839	Hardened pin 20x80	330	1
25	020777	Ring spacer	330	1	50	006845	Hardened pin 16x55	330	1

13.2.2. Arm Assembly in ARG 400 plus S.A.F.



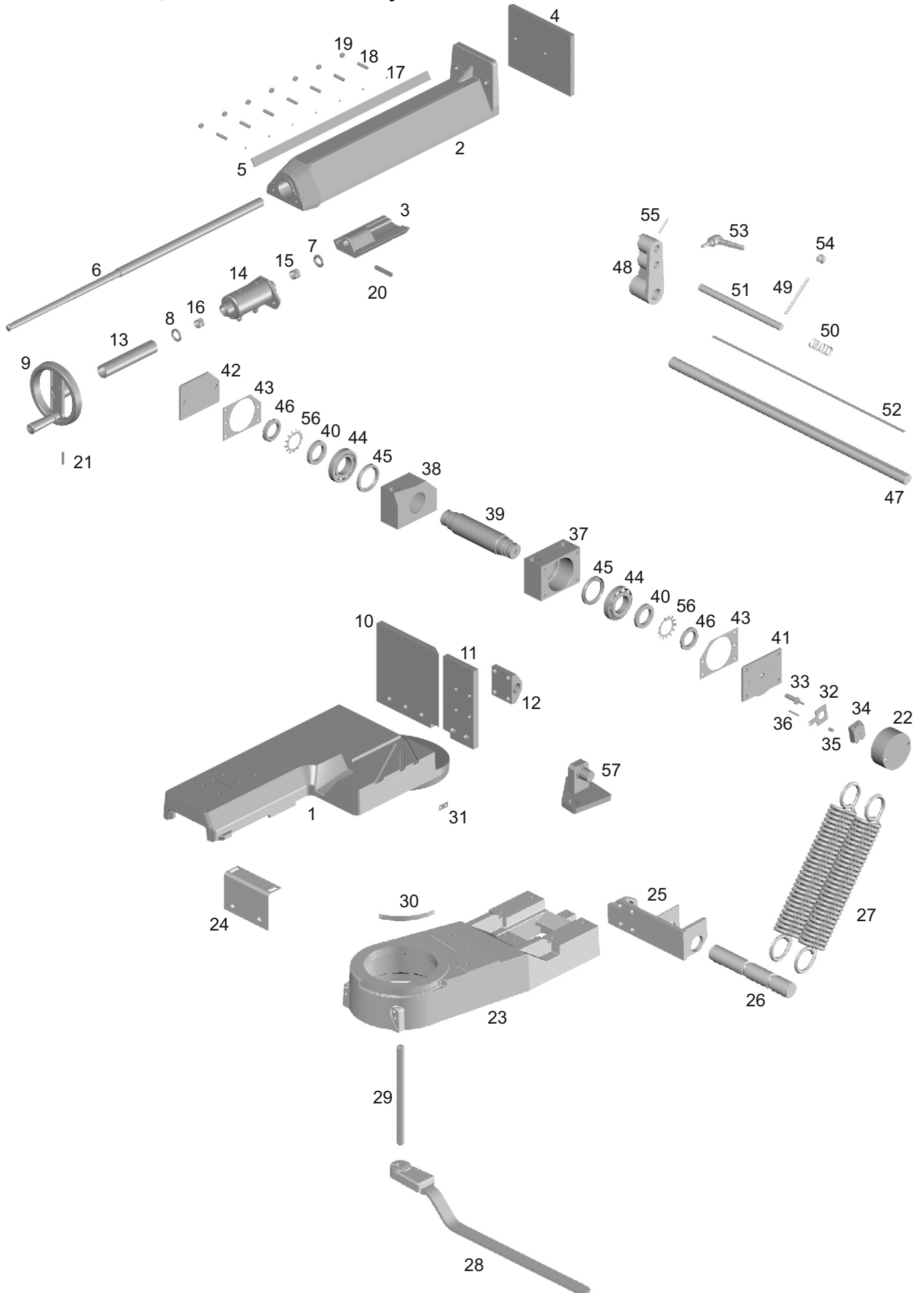
ver. 1.6.2016

Pos.	Order number	Name	Type ARG	Pcs	Pos.	Order number	Name	Type ARG	Pcs
1	001344	Clamp	400	2	24	013962	Spring angle	400	1
2	001767	Tensioning bolt	400	1	25	002996	Ring spacer	400	1
3	001888	Tensioning wheel	400	1	26	005822	Washer	400	1
4	001930	Triangle	400	1	27	001668	Tensioning washer	400	2
5	001991	Cover holder - rear	400	1	28	007772	End switch washer	400	1
6	001844	Front cover, arm	400	1	29	001667	End switch plate s.a.	400	1
7	001900	Shaft drive	400	1	30	001402	Drain valve	400	2
8	001889	Blade wheel	400	1	31	013849	Additional cooling block	400	2
9	015282	Wheel washer	400	1	32	021918	Electric drive ARG 400-400V	400	1
10	014218	Console sa 70 jumbo	400	1	33	013932	Terminal, direct	400	1
11	014230	Tensioning plate	400	1	34	011205	Adjustable lever, M12x50	400	2
12	014808	Tensioning system cover	400	1	35	002194	Cooling throat S1002	400	2
13	015897	Arm rim	400	1	36	001906	6210 - 2Z bearing	400	4
14	019528	Cover holder - front	400	1	37	001483	Disc spring 31.5 x 16.3 x 1.8 x 2.5	400	10
15	018132	Cover, fixed upper rod	400	1	38	001860	Hardened pin 16x60	400	1
16	017023	Back cover, arm	400	1	39	001839	Hardened pin 20x80	400	1
17	001887	Arm	400	1	40	002108	Angled latch	400	7
18	013949	Fixed rod	400	1	41	001892	Outer retaining ring 50	400	3
19	015803	Movable rod	400	1	42	001893	Inner retaining ring 90	400	3
20	015776	Blade cover	400	1	43	009577	Cap KR 12	400	1
21	016319	Blade cover, fixed guide head	400	1	44	020937	M12 screw, handle	400	1
22	001861	Gibbet	400	1	45	021919	Flange	400	1
23	002092	Upper spring holder	400	1					

Pos.	Order number	Name	Type ARG	Pcs	Pos.	Order number	Name	Type ARG	Pcs
1	009678	Arm weldment	500	1	24	013172	Worm gearbox	500	1
	019482	Arm weldment	380	1		022189	Worm gearbox	380	1
2	009697	Tensioning bolt	380,500	1	25	021919	Gearbox flange	380	1
3	009698	Brush anchor	500	1	26	012524	Shaft drive	380	1
4	009700	Guide head dovetail	500	1		014635	Shaft drive	500	1
	012512	Guide head dovetail	380	1	27		Spring 12e7x8x45	380,500	1
5	009703	Dovetail spring	500	2	28		Spring 10e7x8x140	380,500	1
	012514	Dovetail spring	380	1	29	014733	Threaded bar of the tensioning	500	1
6	009671	Tensioning wheel	500	1		019532	Threaded bar of the tensioning	380	1
	012516	Tensioning wheel	380	1	30	019490	Blade cover - fixed guide head	380	1
7	009704	Right cover, arm	500	1		015766	Blade cover - fixed guide head	500	1
	019486	Right cover, arm	380	1	31	016363	Head cover holder	500	1
8	009705	Left cover, arm	500	1	32	009707	Blade cover, fixed	500	1
	012518	Left cover, arm	380	1		012520	Blade cover, fixed	380	1
9	009706	Upper cover	500	1	33	006612	Tensioning liner	380,500	1
	012519	Upper cover	380	1	34	008324	Tensioning body	380,500	1
10	009708	Blade cover, movable	500	1	35	008325	Tensioning slid	380,500	1
	012521	Blade cover, movable	380	1	36	010426	Wheel washer	500	1
11	009749	Cylinder eye pin	500	1		014108	Wheel washer	380	1
12	009803	Tensioning triangle	380,500	1	37	009894	Elektrim motor 4-pole 112m/b	500	1
13	009996	End switch plate	380,500	1		011677	Motor h100 lb/4 b14	380	1
14	010086	Arm metal sheet, eaves	500	1	38	001893	Conn. internal ring 90	380,500	1
	019488	Arm metal sheet, eaves	380	1	39	001906	6210 - 2RS bearing	380,500	2
15	010200	Blade cover holder	380,500	1	40	009973	Disc spring 50x18.4x3	380,500	6
16	013416	Tensioning post	500	1	41	002108	Angled latch	380,500	6
	012526	Tensioning post	380	1	42	022069	Hinge 40	380,500	4
17	013700	Fixed guide head arm	500	1	43	011204	Lever M10x63	500	4
18	013701	Movable guide head arm	500	1		011204	Lever M10x63	380	2
	012513	Movable guide head arm	380	1	44	010288	Ball, bearing KR 7,144	500	4
19	009968	Horizontal cover	500	1		010288	Ball, bearing KR 7,144	380	2
	012527	Horizontal cover	380	1	45	006694	5 x16 flexible pin	380,500	2
20	009969	Vertical cover	500	1	46		6 x 28 flexible pin	500	2
	019489	Vertical cover	380	1			6 x 28 flexible pin	380	1
21	009984	Hose clamp	500	1	47	009577	Cap	380,500	2
22	009717	End switch metal sheet	380,500	1	48	002302	Screw dowel - flat M8x20	380,500	4
23	013125	Blade wheel	500	1	49	001468	M8 Nut	380,500	4
	012515	Blade wheel	380	1					

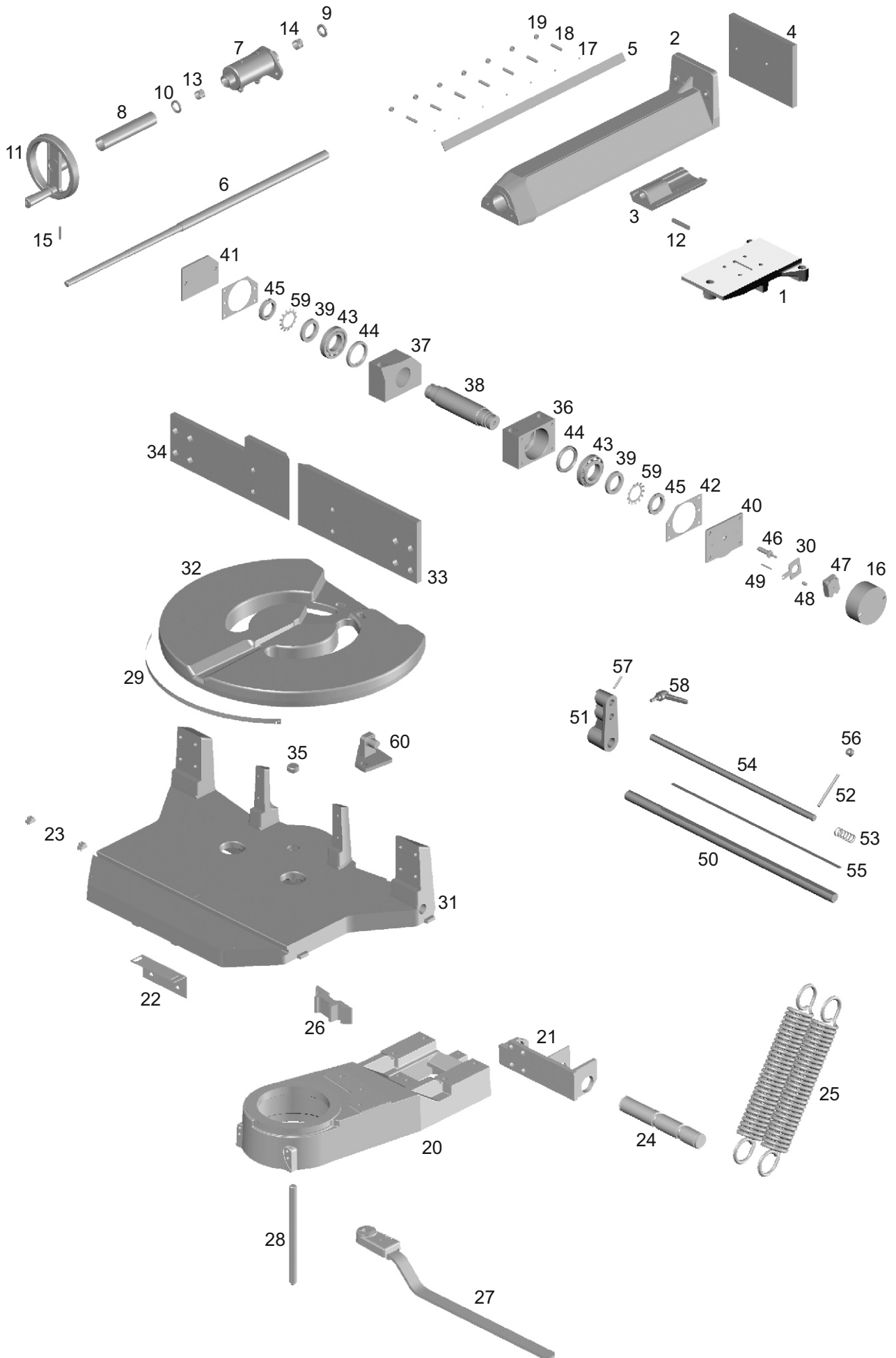
13.3. The Table, Turntable, Joint and Vice Assembly

13.3.1. The Table, Joint and Vice Assembly in ARG 330



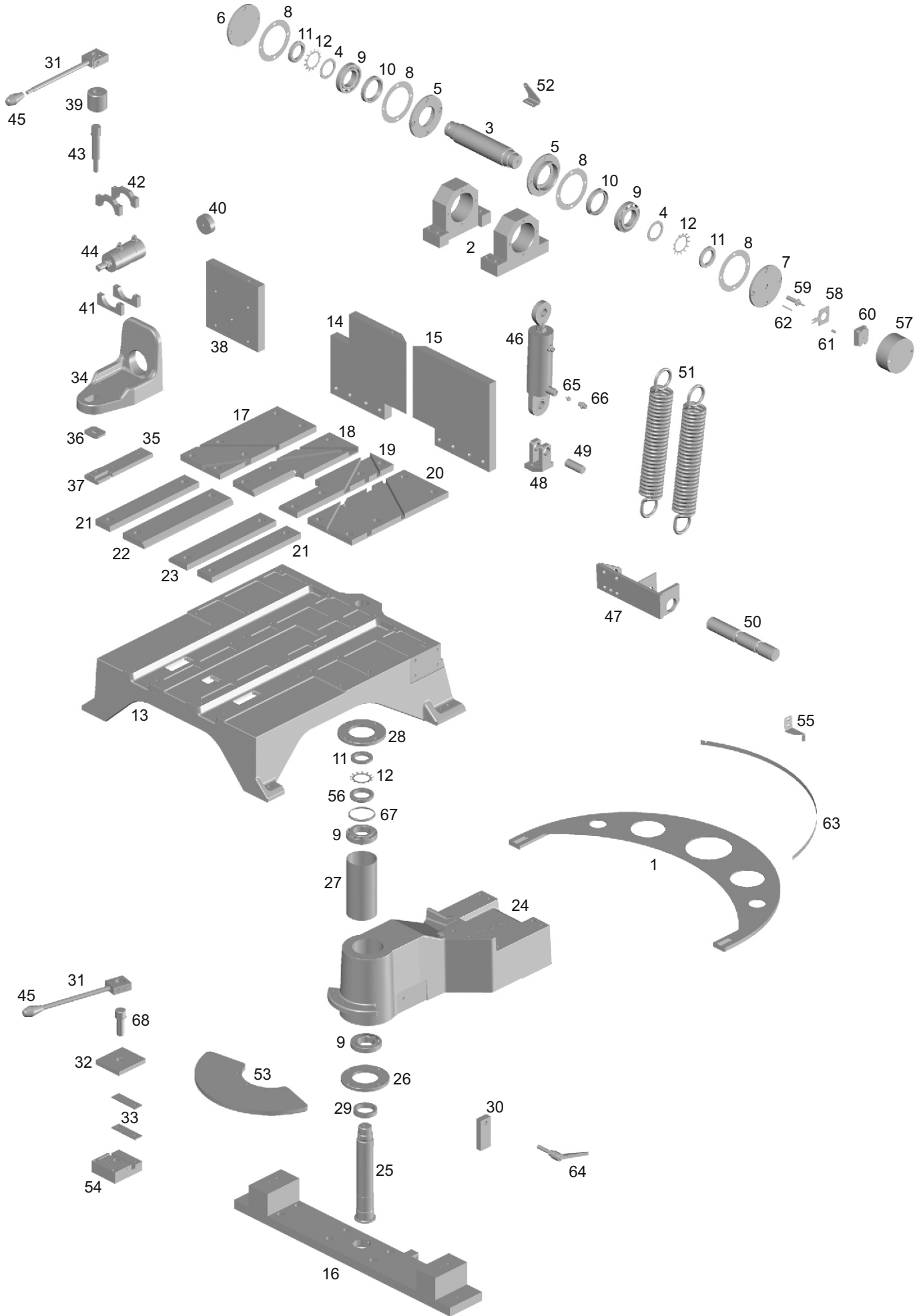
Pos.	Order number	Name	Type ARG	Pcs	Pos.	Order number	Name	Type ARG	Pcs
1	020832	Vice body	330	1	30	008396	Angular plate	330	1
2	002665	Movable jaw	330	1	31	001421	Measuring plate	330	1
3	020836	Trapezoidal nut	330	1	32	021307	Connecting metal sheet	330	1
4	020626	Movable jaw plate	330	1	33	021308	Arm uplift measuring screw	330	1
5	002669	Dovetail bar	330	1	34	021126	Incremental sensor	330	1
6	020624	Trapezoidal screw	330	1	35	021599	Hexagon spacer column M6x15	330	1
7	008874	Trapezoidal screw ring 1	330	1	36		Helix M6	330	1
8	002148	Trapezoidal screw ring 2	330	1	37	021574	Arm support housing	330	1
9	002111	Vice handwheel with a crank	330	1	38	022242	Arm support housing	330	1
10	020833	Table plate, left	330	1	39	020729	Arm support shaft	330	1
11	020834	Table plate, right	330	1	40	020728	Ring spacer	330	2
12	020835	Stop holder	330	1	41	021573	Lid 3	330	1
13	020625	Retaining roller	330	1	42	022243	Lid 4	330	1
14	002090	Vice cylinder S.A. PCH 50/32x15	330	1	43	021871	Sealing	330	2
15	001836	Needle bearing K20x24x17	330	1	44	020618	Tapered roller bearing 30209	330	2
16	001835	Needle bearing K18x22x17	330	1	45	020716	Radial shaft seal 52x72x8	330	2
17	001711	Ball, bearing 6	330	7	46	017808	KM 8 Nut	330	2
18	006429	Screw dowel, punched, M8x35	330	7	47	015415	Stop rod, long	330	1
19	001712	Locking nut M8	330	7	48	015416	Adjustable stop body	330	1
20	004390	Tight spring 10e7x8x60	330	1	49	015417	Stop rod lever	330	1
21	002642	6x40 flexible pin	330	1	50	015418	Compression spring 2x22x60	330	1
22	021306	Incremental sensor cover	330	1	51	015419	Stop rod, short	330	1
23	020770	Turntable	330	1	52	009295	Label, stop gauge	330	1
24	006359	Vice console, top	330	1	53	011540	Adjustable lever M8x16	330	1
25	020621	Spring pin holder	330	1	54	001552	Ball 20 M8	330	1
26	002091	Spring pin	330	1	55	002642	6x40 flexible pin	330	1
27	001950	Tension spring	330	2	56	020620	MB 8 Washer	330	2
28	020401	Table lever	330	1	57	014989	Hydraulics holder, lower	330	1
29	001360	Screw, table, M20	330	1					

13.3.2. The Table, Turntable, Joint and Vice Assembly in ARG 330 plus



Pos.	Order number	Name	Type ARG	Pcs	Pos.	Order number	Name	Type ARG	Pcs
1	015394	Vice body	330+	1	31	015397	Table plate	330+	1
2	002665	Movable jaw	330+	1	32	015398	Turntable	330+	1
3	020623	Trapezoidal nut	330+	1	33	020617	Right jaw	330+	1
4	020626	Movable jaw plate	330+	1	34	020616	Left jaw	330+	1
5	002669	Dovetail bar	330+	1	35	009603	Aligning nut	330+	1
6	020624	Trapezoidal screw	330+	1	36	021574	Arm support housing	330+	1
7	002090	Vice cylinder S.A. PCH 50/32x15	330+	1	37	022242	Arm support housing	330+	1
8	020625	Retaining roller	330+	1	38	020729	Arm support shaft	330+	1
9	008874	Trapezoidal screw ring 1	330+	1	39	020728	Ring spacer	330+	2
10	002148	Trapezoidal screw ring 2	330+	1	40	021573	Lid 3	330+	1
11	002111	Vice handwheel with a crank	330+	1	41	022243	Lid 4	330+	1
12	004390	Tight spring 10e7x8x60	330+	1	42	021871	Sealing	330+	2
13	001835	Needle bearing K18x22x17	330+	1	43	020618	Tapered roller bearing 30209	330+	2
14	001836	Needle bearing K20x24x17	330+	1	44	020716	Radial shaft seal 52x72x8	330+	2
15	002642	6x40 flexible pin	330+	1	45	017808	KM8 Nut	330+	2
16	021306	Incremental sensor cover	330+	1	46	021308	Arm uplift measuring screw	330+	1
17	001711	Ball, bearing 6	330+	7	47	021126	Incremental sensor	330+	1
18	006429	Worm Allen screw M8x35	330+	7	48	021599	Hexagon spacer column M6x15	330+	1
19	001712	Locking nut M8	330+	7	49		Helix M6	330+	1
20	020770	Turntable	330+	1	50	015415	Stop rod, long	330+	1
21	020621	Spring pin holder	330+	1	51	015416	Adjustable stop body	330+	1
22	006359	Vice console, top	330+	1	52	015417	Stop rod lever	330+	1
23	001496	T Nut	330+	2	53	015418	Compression spring 2x22x60	330+	1
24	002091	Spring pin	330+	1	54	015422	Stop rod, short	330+	1
25	001950	Tension spring	330+	2	55	009295	Label, stop gauge	330+	1
26	015411	Table head	330+	1	56	001552	Ball 20 M8	330+	1
27	020401	Table lever, mounted	330+	1	57	002642	6x40 flexible pin	330+	1
28	001360	Screw, table, M20	330+	1	58	011540	Adjustable lever M8x16	330+	1
29	002135	Angular plate	330+	1	59	020620	MB 8 Washer	330+	2
30	021307	Connecting metal sheet	330+	1	60	014990	Hydraulics holder, lower	330+	1

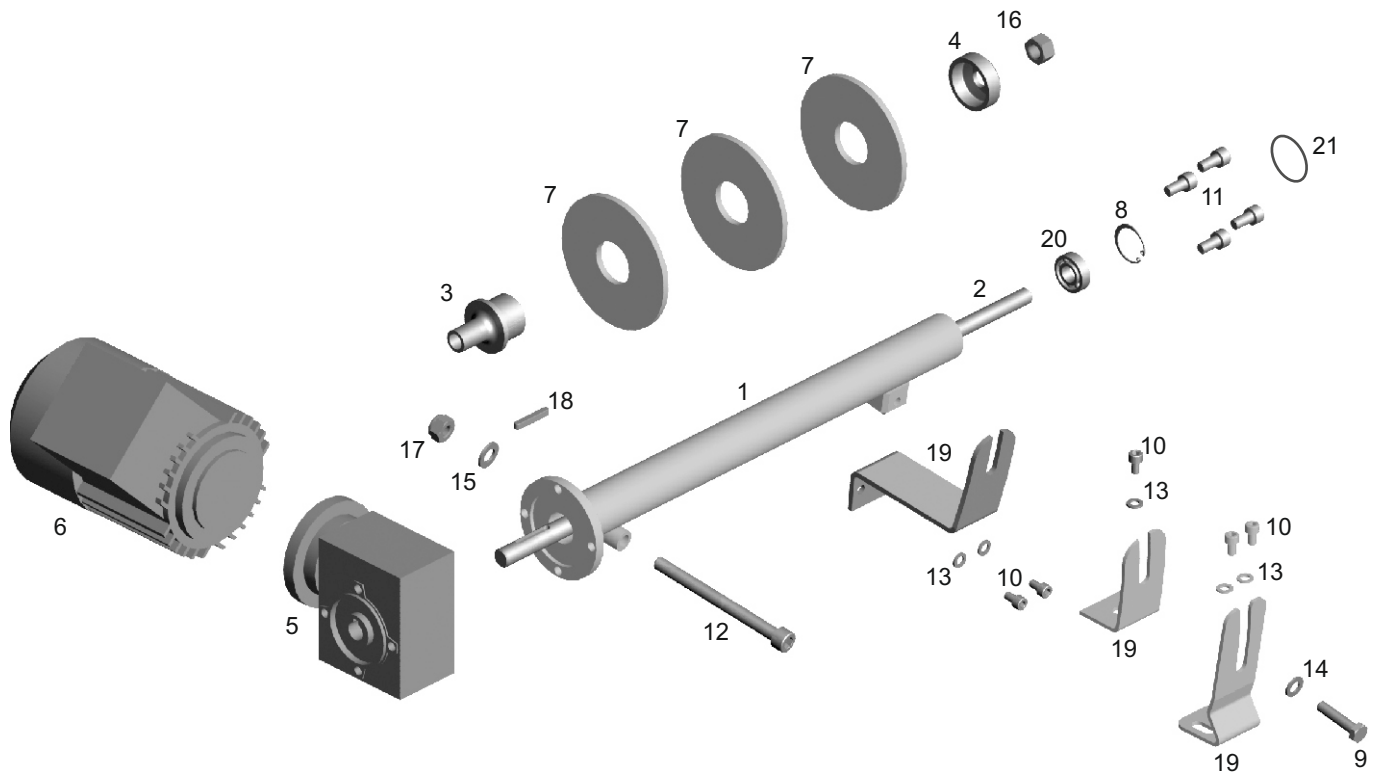
13.3.3. The Table, Turntable, Joint and Vice Assembly in ARG 400 plus S.A.F.



Pos.	Order number	Name	Type ARG	Pcs	Pos.	Order number	Name	Type ARG	Pcs
1	001865	Scale holder	400	1	35	015294	Guide	400	1
2	017025	Arm support housing	400	2	36	015295	Lever washer	400	1
3	017027	Arm support shaft	400	1	37	015296	T Nut	400	1
4		Ring spacer	400	2	38	015298	Movable jaw plate	400	1
5	001751	Lid 4	400	2	39	016052	Tightening roller	400	1
6	001994	Lid 5	400	1	40	016051	Vice cylinder washer	400	1
7	001750	Lid 5 with opening	400	1	41	020163	Shackle - top part	400	2
8	001995	Sealing	400	4	42	020164	Shackle - bottom part	400	2
9	001830	Bearing 30210	400	4	43	021776	Lever screw	400	1
10	001834	Shaft seal 58x80x13	400	2	44	001964	Hydraulic cylinder ZH1-50/25x20 - vice	400	1
11	001832	KM 9 Nut	400	3	45	001580	Conic cylinder M12	400	2
12	001833	MB 9 Washer	400	3	46	015760	Hydraulic cylinder ZH1-63/32x100 - uplift	400	1
13	015673	Table body	400	1	47	002093	Spring pin holder	400	1
14	015287	Table plate, vert. Left	400	1	48	001828	Hydraulics holder, lower	400	1
15	015288	Table plate, vert. Right	400	1	49	002013	Hydraulics pin	400	1
16	015289	Blade with washers	400	1	50	002091	Spring pin	400	1
17	015665	Table plate, left	400	1	51	001950	Tension spring	400	2
18	015666	Table plate, central	400	1	52	002011	Limit switch console	400	1
19	015667	Table plate, central	400	1	53	007264	Braking segment	400	1
20	015668	Table plate, right	400	1	54	009794	Brake housing LG	400	1
21	015670	Table plate, central	400	2	55	018133	Angle measurement selector	400	1
22	015671	Table plate, central	400	1	56	009745	Ring spacer KR 75-18	400	1
23	015672	Table plate, central	400	1	57	021306	Incremental sensor cover	400	1
24	001753	Turntable	400	1	58	021307	Connecting metal sheet	400	1
25	001891	Arm swing axis 2	400	1	59	021308	Arm uplift measuring screw	400	1
26	001748	Pulley 2	400	1	60	021126	Incremental sensor	400	1
27	001999	Turntable tube	400	1	61	021599	Hexagon spacer column M6x15	400	1
28	001749	Lid 2	400	1	62		Helix M6	400	1
29	002010	Ring 3 (bottom)	400	1	63	001895	Angular plate	400	1
30	017029	Stop selector 90 °	400	1	64	011205	Adjustable lever, M12x50	400	1
31	021777	Lever	400	2	65	015744	Safety valve	400	1
32	009799	Brake shoe	400	1	66	002033	Straight connector ges 8lr-wd	400	1
33	014609	Brake lining	400	2	67	002423	Wiper ring 70	400	1
34	015293	Jaw body	400	1	68	009785	Brake screw	400	1

Pos.	Order number	Name	Type ARG	Pcs	Pos.	Order number	Name	Type ARG	Pcs
1	001865	Scale holder	500	1	31	009739	Vice fastening wedge	380,500	1
	012558	Scale holder	380	1	32	009740	Brake lever	380,500	1
2	001891	Arm swing axis 2	380,500	1	33	009741	Carrier	380,500	1
3	001748	Pulley 2	380,500	1	34	009746	Axis lid 2, arm rotation	380,500	2
4	001999	Turntable tube	380,500	1	35	009745	Ring spacer	380,500	1
5	002010	Ring 3	380,500	1	36	009917	Angle measurement selector	380,500	1
6	017029	Stop selector 90 °	380,500	1	37	009682	Vice jaw, movable	500	1
7	009799	Brake shoe	380,500	1		012555	Vice jaw, movable	380	1
8	009797	Underlying metal sheet, brakes,	380,500	1	38	014219	Wiring console	380,500	1
9	009798	Underlying metal sheet, brakes,	1380,500	1	39	009751	Arm support housing	500	2
10	009796	Underlying metal sheet, brakes,	2380,500	1	40	009757	Arm support shaft	500	1
11	014609	Brake lining	380,500	2		019494	Arm support shaft	380	1
12	009794	Brake housing	380,500	1	41	009752	Ring spacer 2	380,500	2
13	009683	Table	500	1	42	022565	Bearing lid	380,500	1
	019491	Table	380	1	43	021628	Bearing cover with opening	380,500	1
14	009734	Axis 2 flange	380,500	1	44	001834	Shaft seal 58x80x13	380,500	2
15	010499	Right jaw	500	1	45	001830	Bearing 30210 AJ 2	380,500	4
	012537	Right jaw	380	1	46	001832	KM 9 Nut	380,500	3
16	010500	Left jaw	500	1	47	001833	MB 9 Washer	380,500	3
	012538	Left jaw	380	1	48	009928	Short piece support	500	1
17	023179	Plate 60 L	500	1		012561	Short piece support	380	1
	012539	Plate 60 L	380	1	49	015758	Hydraulic stroke cylinder	500	1
18	023180	Plate 60 R	500	1		019594	Hydraulic stroke cylinder	380	1
	012541	Plate 60 R	380	1	50	009670	Hydraulic vice cylinder	500	1
19	009792	Brake segment	500	1		012564	Hydraulic vice cylinder	380	1
	019492	Brake segment	380	1	51	021306	Incremental sensor cover	380,500	1
20	009733	Brake screw	380,500	1	52	021307	Connecting metal sheet	380,500	1
21	009691	Vice guidance plate	500	1	53	021308	Arm screw	380,500	1
	012545	Vice guidance plate	380	1	54	021126	Incremental sensor	380,500	1
22	009692	Vice skid	500	2	55	022398	Hexagon spacer column	380,500	1
	012546	Vice skid	380	2	56		Helix 5	380,500	1
23	009696	Turntable	500	1	57	009965	Angular plate	500	1
	019493	Turntable	380	1		012652	Angular plate	380	1
24	009695	Bracket T	500	1	58	015744	Safety valve	380,500	1
	012547	Bracket T	380	1	59	002033	Straight connector	380,500	1
25	009748	Cylinder eye pin 2	380,500	1	60	001983	T screw union	500	1
26	009747	Cylinder eye pin 3	380,500	1	61	001580	Conic handle	380,500	1
27	009693	Vice body	500	1	62	002423	Wiper ring	380,500	1
	012551	Vice body	380	1	63	009055	Adjustable lever, M8x50	380,500	1
28	010854	Turntable	380,500	1	64	013932	Terminal, direct	380,500	1
29	018754	Cylinder console, left	500	1	65	011205	Adjustable lever, M12x50	380,500	1
	012552	Cylinder console, left	380	1					
30	018755	Cylinder console, right	500	1					
	012553	Cylinder console, right	380	1					

13.4. Cleaning Brush Assembly

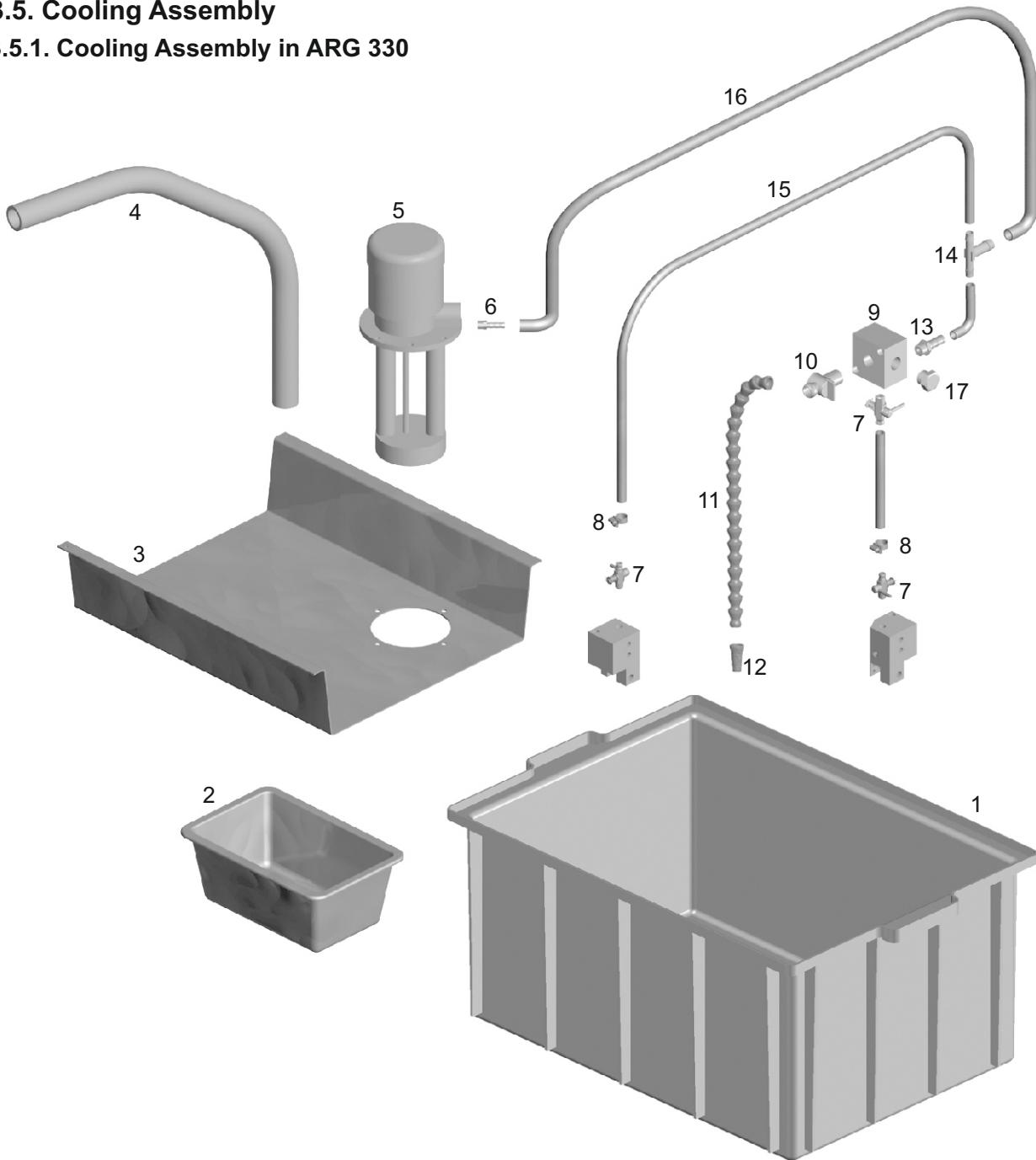


ver. 1.6.2016

Pos.	Order number	Name	Type ARG	Pcs
1	015534	Brush tube	380,500	1
	015765	Brush tube	400	1
2	003549	Brush shaft	380,500	1
	015764	Brush shaft	400	1
3	003551	Brush guide	380,400,500	1
4	003552	Brush liner	380,400,500	1
5	015542	Worm drive SRT 28100914	380,400,500	1
6	015543	Electric motor SKg56-4A/2	380,400,500	1
7	003548	Brush	380,400,500	3
8	003547	Safety inner ring 28	380,400,500	1
9	001441	Screw SW M8x35	380,400,500	1
10	001678	Hexagonal screw M8x20	500	1
	001678	Hexagonal screw M8x20	380,400	2
11	001562	Hexagonal screw M6x16	380,400,500	4
12	002741	Hexagonal screw M10x110	380,500	1
		Hexagonal screw M14x180	400	1
13	001474	Washer 8	500	1
	001474	Washer 8	380,400	2
14	001474	Washer 8	380,400,500	1
15	001476	Washer 10	380,500	1
		Washer 14	400	1
16	001470	Nut M12	380,400,500	1
17	009714	Safety nut M10	380,500	1
		Safety nut M14	400	1
18	003546	Feather 5x5x32	380,400,500	1
19	009699	Brush support	500	1
	019487	Brush support	380	1
	015752	Brush support	400	1
20	002892	Bearing 6001-2RS1	380,400,500	1
21	002385	O-ring	380,400,500	1

13.5. Cooling Assembly

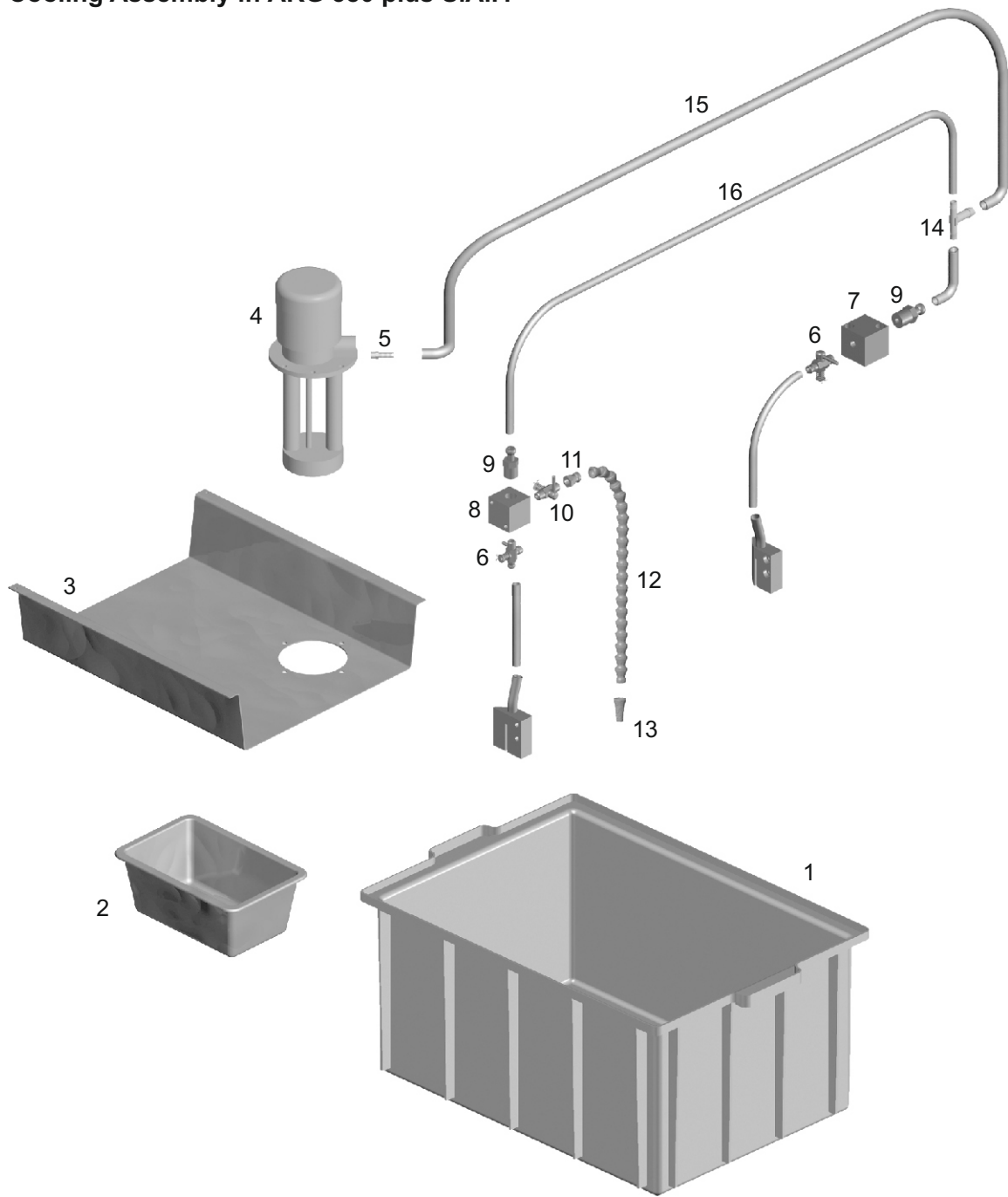
13.5.1. Cooling Assembly in ARG 330



ver. 1.6.2016

Pos.	Order number	Name	Type ARG	Pcs
1	001852	Coolant tank, UD crate	330	1
2	001335	Settling container	330	1
3	002274	Coolant tank lid	330	1
4	005747	Drain hose 25x32 0.35m	330	1
5	010155	Pump SAMEC AST 60/180	330	1
6	005458	Hose connector 1/2"x 12-13	330	1
7	001402	Drain valve	330	3
8	001398	Hose clamp 7-13	330	3
9	020311	Additional cooling head	330	1
10	020470	PT 3/8" valve	330	1
11	020403	Joint part 3/8"	330	27
12	020469	Tailpiece 3/8"	330	1
13	018941	Connector for hoses with a tapered thread 10-1/4'	330	1
14	005401	T-piece TRS 10-13-10	330	1
15	001399	DN hose 8x2 novoplast 1.8m	330	1
16	021035	MPVC hose 12.5/18.5, black 3.6m	330	1
17	004087	Cap	330	1

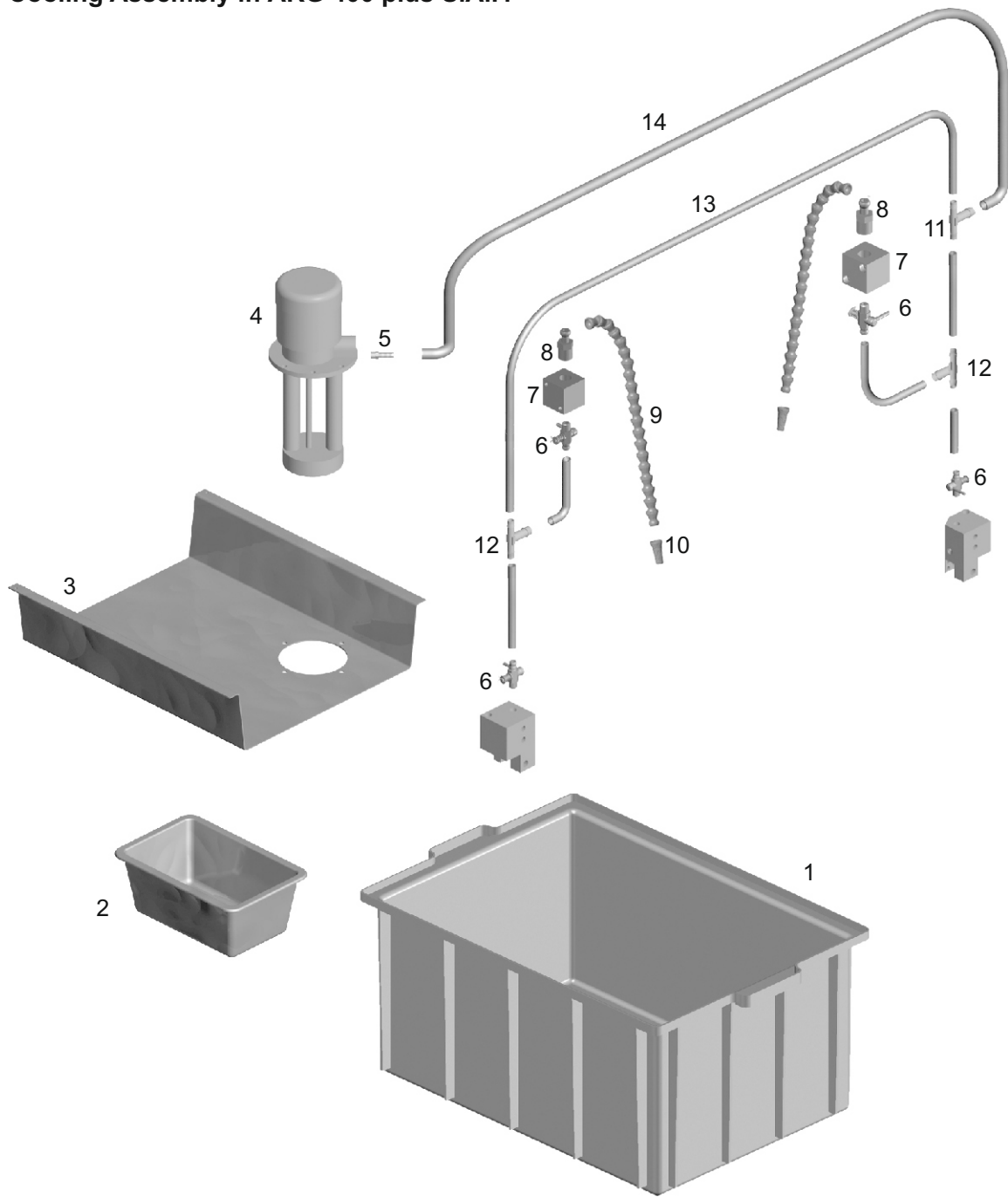
13.5.2. Cooling Assembly in ARG 380 plus S.A.F.



ver. 1.6.2016

Pos.	Order number	Name	Type ARG	Pcs
1	001852	Coolant tank, UD crate	380	1
2	001335	Settling container	380	1
3	002274	Coolant tank lid	380	1
4	010155	Pump SAMEC AST 60/180	380	1
5	005458	Hose connector 1/2"x 12-13	380	1
6	001402	Drain valve	380	2
7	013849	Cooling block	380	1
8	012530	Distribution cooling block	380	1
9	002194	Throat 12-3/8	380	2
10	012413	Drain valve	380	1
11	009119	Ball connection nut	380	1
12	001661	Joint part KR12	380	30
13	001662	Cylindrical end piece KR 12	380	1
14	005298	T-piece TRS 12-10-12	380	1
15	021035	Hose MPVC 12.5/17mm, 4 m	380	1
16	001399	DN hose 8x2 Novoplast, 2.5 m	380	1

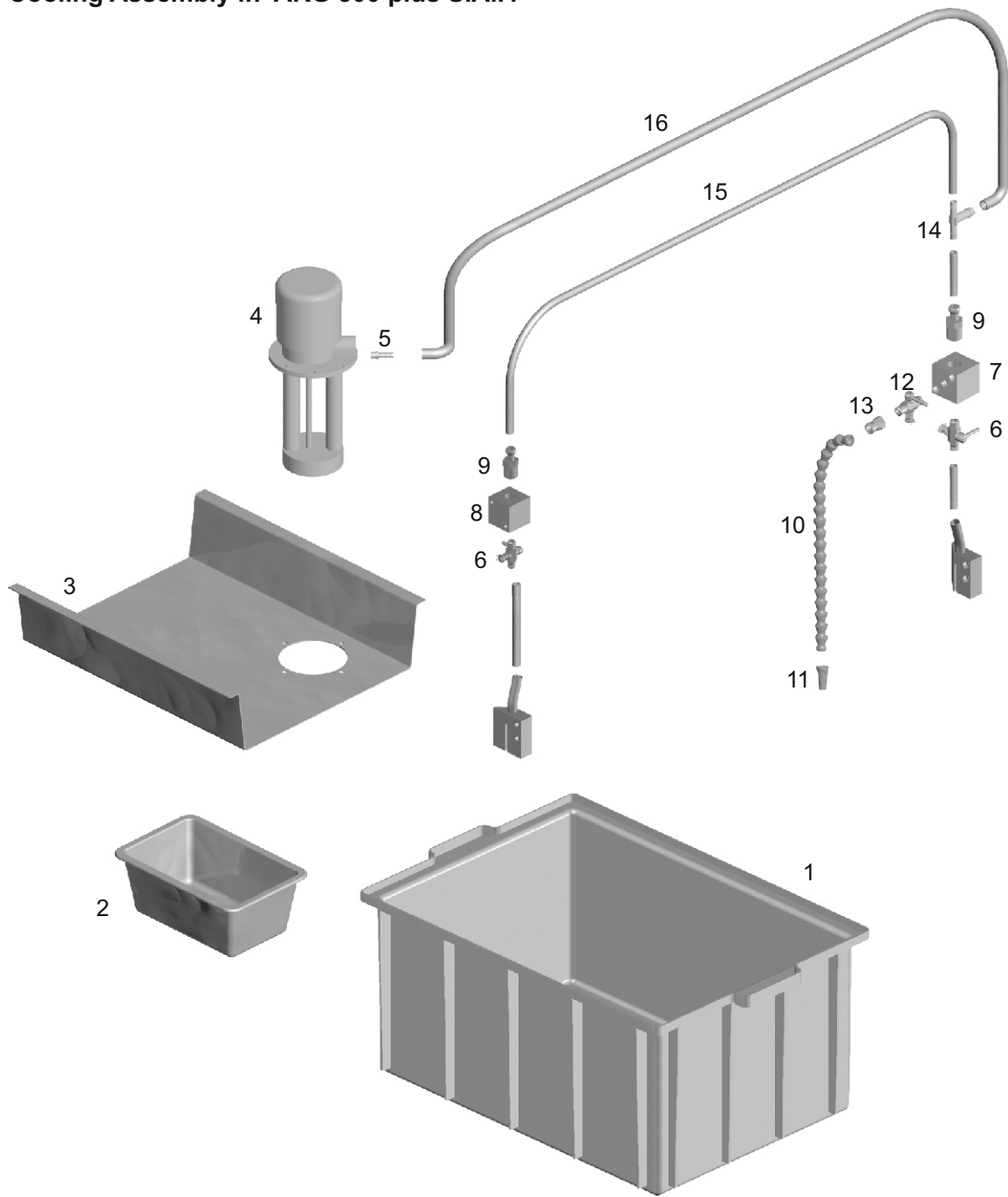
13.5.3. Cooling Assembly in ARG 400 plus S.A.F.



ver. 1.6.2016

Pos.	Order number	Name	Type ARG	Pcs
1	001852	Coolant tank, UD crate	400	1
2	001335	Settling container	400	1
3	002274	Coolant tank lid	400	1
4	010155	Pump SAMEC AST 60/180	400	1
5	005458	Hose connector 1/2"x 12-13	400	1
6	001402	Drain valve	400	4
7	001663	Cooling block	400	2
8	002194	Throat 12 - 3/8	400	2
9	001661	Joint part KR12	400	80
10	001662	Cylindrical end piece KR 12	400	2
11	005401	T-piece TRS 10-13-10	400	1
12	001401	T-piece	400	2
13	001399	Hose DN 8x2 Novoplast, 5 m	400	1
14	021039	Hose MPVC 12.5/17 mm, 3,7 m	400	1

13.5.4. Cooling Assembly in ARG 500 plus S.A.F.



ver. 1.6.2016

Pos.	Order number	Name	Type ARG	Pcs
1	001852	Coolant tank, UD crate	500	1
2	001335	Settling container	500	1
3	002274	Coolant tank lid	500	1
4	010155	Pump SAMEC AST 60/180	500	1
5	005458	Hose connector 1/2"x 12-13	500	1
6	001402	Drain valve	500	2
7	012530	Distribution cooling block	500	1
8	001663	Cooling block	500	1
9	002194	Throat 12 - 3/8	500	2
10	001661	Joint part KR12	500	40
11	001662	Cylindrical end piece KR 12	500	1
12	012413	Drain valve	500	1
13	009119	Ball connection nut	500	1
14	005298	T-piece TRS 12-10-12	500	1
15	001399	Hose DN 8x2 Novoplast, 3 m	500	1
16	021035	Hose MPVC 12.5/17mm, 4.5 m	500	1