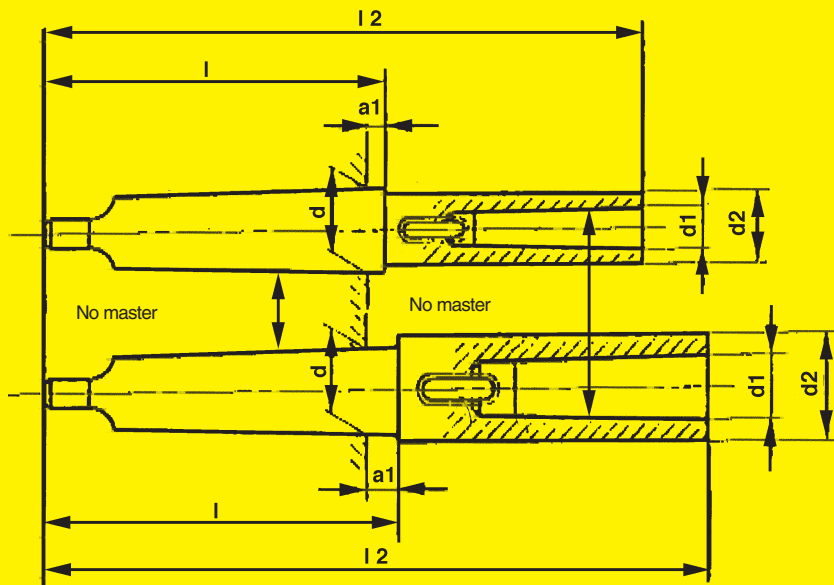


# Dimension table for extension sleeves

according to Swedish standard SS 100. (Complying in its relevant parts with ISO 296.)



External Morse taper

Internal Morse taper

Luna Art. no	External taper			Internal taper		Total-length $l_2$
	$d$	$l$	$a_1$	$d_1$	$d_2$	
20505-0107	12.065	69	7	12.065	25.4	145
20505-0206	17.780	84	9	12.065	20	160
20505-0305	23.825	99	5	12.065	20	175
20505-0404	12.065	69	7	17.780	30	160
20505-0503	17.780	84	9	17.780	30	175
20505-0602	23.825	103	9	17.780	30	194
20505-0701	31.267	124	6.5	17.780	30	215
20505-0800	17.780	84	9	23.825	36	196
20505-0909	23.825	103	9	23.825	36	215
20505-1006	31.267	128	10.5	23.825	36	240
20505-1105	23.825	103	9	31.267	48	240
20505-1204	31.267	128	10.5	31.267	48	265
20505-1303	44.399	163	13.5	31.267	48	300
20505-1402	31.267	128	10.5	44.399	63	300
20505-1501	44.399	163	13.5	44.399	63	335